



**L-TOOL SERIES**

# L-TOOL IS A SAFE, LABOR SAVING, FAST, AND EFFECTIVE MATERIAL-LIFTING SOLUTION

Item No. 30024

## Introduction

The L-TOOL Series is a versatile material-lifting solution, designed for use during construction, commissioning, or maintenance across various sectors.

Its modular and mobile design makes it ideal for environments where temporary lifting points are required.

The L-TOOL is secured to steel surfaces using **4 x V-MAG 340© magnets**, which can be positioned freely to suit the specific lifting location.

The magnetic system allows for quick setup and removal without damaging painted or coated surfaces.

## Key Features

- **Areas Application**  
Suitable for lifting tasks across construction, maintenance, and industrial operations.
- **Magnetic Mounting**  
Attaches using **4 x V-MAG 340© magnets** for secure, non-permanent installation.
- **Surface-Safe Design**  
Can be disassembled or removed without leaving marks or causing damage.
- **Flexible Positioning**  
Magnets can be placed on steel surfaces where needed to create the optimal lifting point.



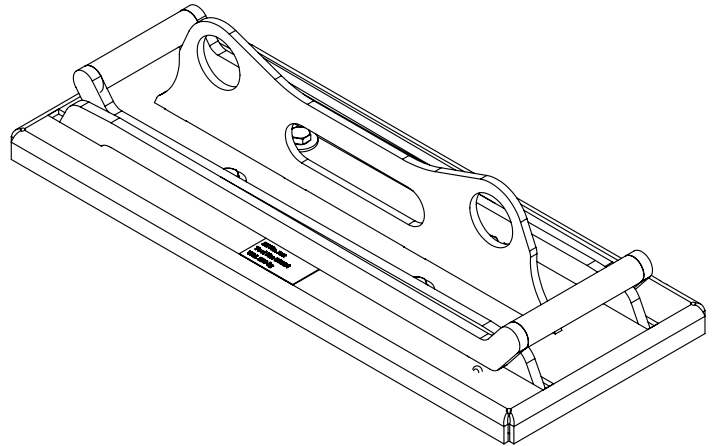


## Technical specifications

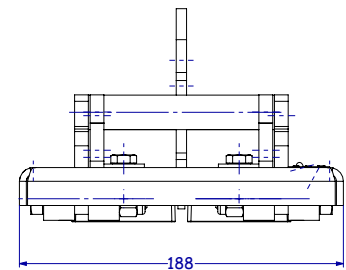
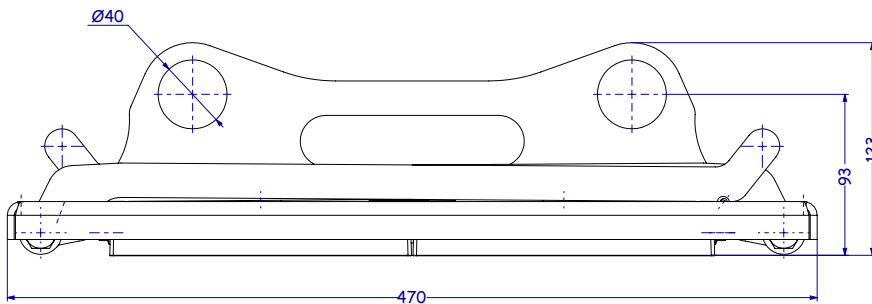
-  **Weight:** 9kg
-  **Length:** 470mm
- Width:** 188mm
- Height:** 123mm
-  **Diameter:** 3200mm (minimum diameter needed for curved/convex surfaces)
-  **Thickness:** 6mm (optimal ferrous steel thickness)  
600μ (optimal paint/coating)
-  **Temp.:** -40°C to +80°C
-  **Material:** Aluminum (seawater resistant)
-  **WLL:** 150kg (Working Load Limit is tested by Certex & DNV-GL)

## Contact us

If you would like a free quotation or learn more about how **L-TOOL** can optimize your workflow and finances - feel free to contact us.



Item No. 30024



## Installation steps

Would you like to see the L-TOOL in operation?  
Scan to view showreel.

