

P/N: **K3021**

TIE DOWN MOUNT KIT



The Tie Down Mount Kit provides anchor points for securing large items against walls or floors using ratchet straps, cam straps, or other lashing methods (not provided). The Tie Down Mount modules mount exclusively to PAC aluminum extrusions: PAC Strut, PAC Dual Trac and PAC Mini Dual Trac (sold separately).

FEATURES

- Rugged injection molded components made from high quality materials
- Weather, UV resistant
- Non-conductive
- Can be mounted horizontally or vertically
- Adjustable positioning along extrusion length
- Stainless Steel Fasteners provided

EQUIPMENT

Oversized items of various sizes and shapes

RESTRICTIONS

- Not for use with heavy cargo.
- Aluminum extrusions must be securely mounted.
- Operator to be responsible for proper lashing setup
- Module bolt must be properly torqued (see instruction:)

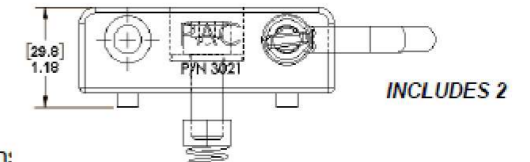
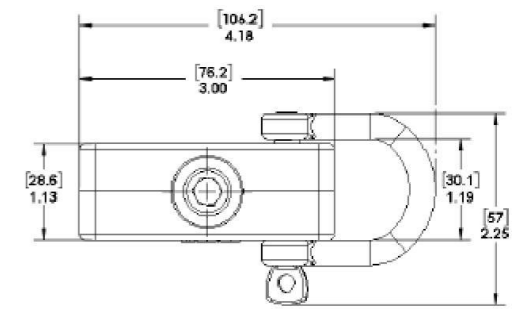
SPECIFICATIONS

P/N	WT.	MAX DYNAMIC LOAD	MAX STATIC LOAD	GRIP RANGE	TEMP RANGE	FLAME RESISTANCE	PAINTABLE
K3021	.7lbs .31kg	N/A	250 LB pull @ 15° Combined	VARIABLE		GOOD	Yes

Performance Advantage Company Lancaster, New York www.pactoolmounts.com 888-514-0083

TYPICAL SPECIFICATION

Mounting bracket shall be PAC PN K3021
Bracket shall be made from tough, corrosion free material. Hardware shall be stainless steel.
Users shall be protected from conductivity.



ITEM NO.	PART NUMBER	DESCRIPTION	QTY.
1	30186_000-R1	Pac Mounts bracket	1
2	K3021	PAC MOUNTS K3021	1
3	DIN_440-r_11-100_hv	Wascher	1

ENGISO[®]
ENGINEERED SOLUTIONS

Phone: (+45) 70 23 00 75
E-mail: info@Engiso.com

Linear tolerance	0-10	10-50	50-500	500-1000	1000-
	± 0.1	± 0.2	± 0.5	± 0.8	± 1

Created: 4. juni 2022 Ini: ANO Updated: 16. februar 2023 Ini: ANO
Surface treatment: Approver: B.Ø.

Material: Material <not specified> Weight: 2.4 Kg

Material Cert. EN10204: Item: Pac Mounts

Unit: Metric

A3 Sheet : 10 of 11 SCALE 1:2 Drawing no.: 30186_001-R2 Rev: