

P/N: K3021-D TIE DOWN MOUNT (DOUBLE SHACKLE)

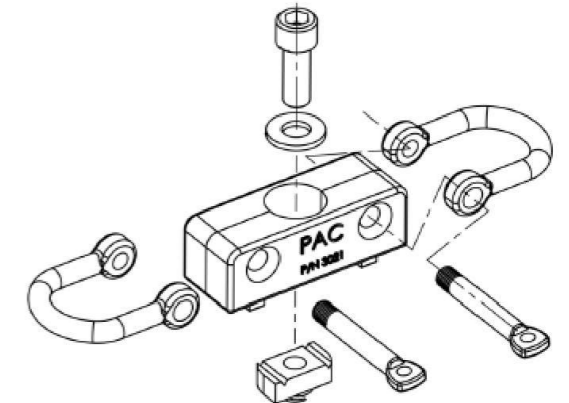


The Tie Down Mount with double shackle can be used as a hanging anchor point for various items. The Tie Down Mount modules mount exclusively to PAC aluminum extrusions: PAC Strut, PAC Dual Trac and PAC Mini Dual Trac (sold separately).

TYPICAL SPECIFICATION
Mounting bracket shall be PAC PN K3021-D
Bracket shall be made from tough, corrosion free material. Hardware shall be stainless steel.
Users shall be protected from conductivity.

FEATURES

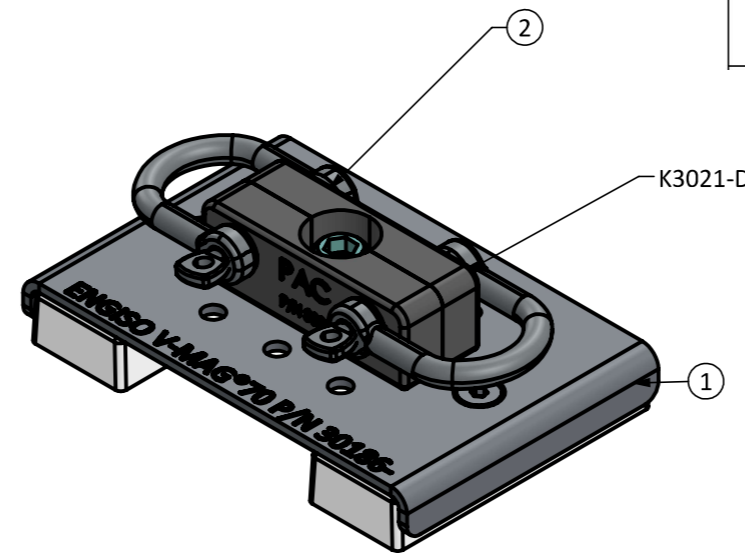
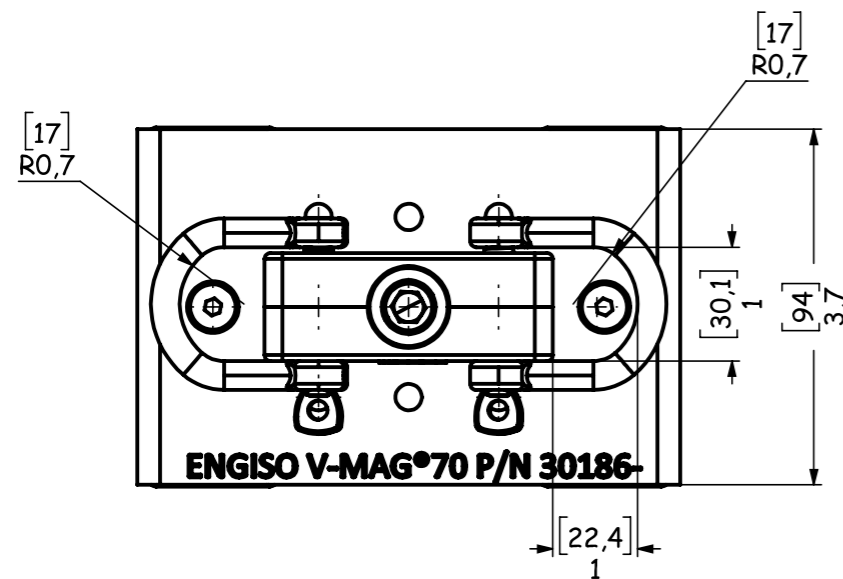
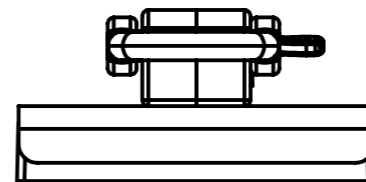
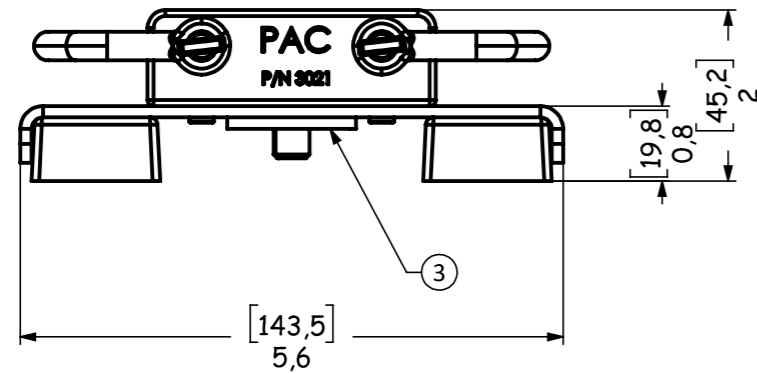
- Rugged injection molded components made from high quality materials
- Weather, UV resistant
- Non-conductive
- Multiple uses
- Come with stainless steel hardware



SPECIFICATIONS

P/N	WT.	MAX DYNAMIC LOAD	MAX STATIC LOAD	GRIP RANGE	TEMP RANGE	FLAME RESISTANCE	PAINTABLE
K3021-D	.5lbs	N/A	N/A	VARIABLE		GOOD	Yes

Performance Advantage Company Lancaster, New York www.pactoolmounts.com 888-514-0083



ITEM NO.	PART NUMBER	DESCRIPTION	QTY.
1	30186_000-R1	Pac Mounts bracket	1
2	K3021-D	PAC MOUNTS K3021-D	1
3	DIN_440-r_11-100_hv	Wascher	1



Phone: (+45) 70 23 00 75
E-mail: info@Engiso.com

	Linear tolerance	0-10	10-50	50-500	500-1000	1000-
		± 0.1	± 0.2	± 0.5	± 0.8	± 1

Created: 4. juni 2022 Ini: ANO Updated: 16. februar 2023 Ini: ANO
Surface treatment: Approver: B.Ø.

Material: Material <not specified> Weight: 2.5 Kg

Material Cert. EN10204: Item: Pac Mounts

Unit: Metric

A3 Sheet : 11 of 11 SCALE 1:2 Drawing no.: 30186_001-R2 Rev: