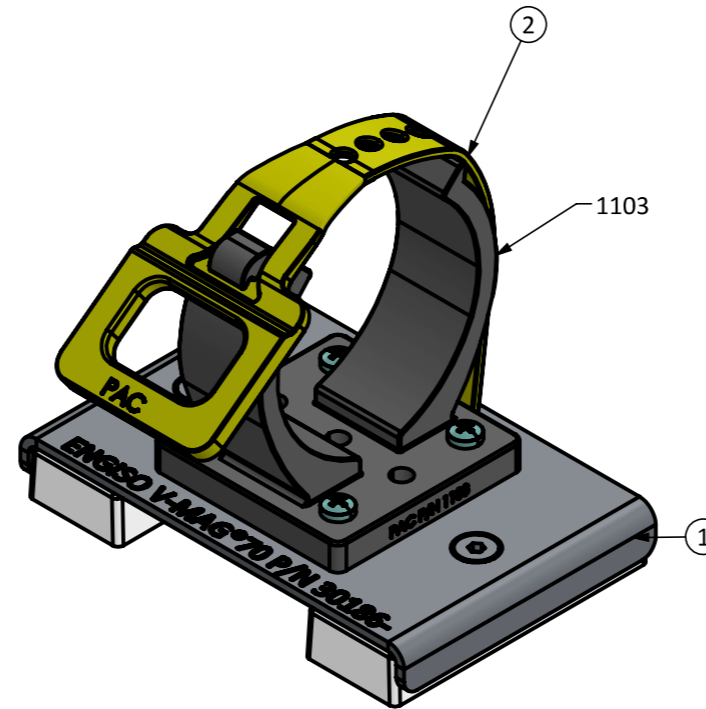
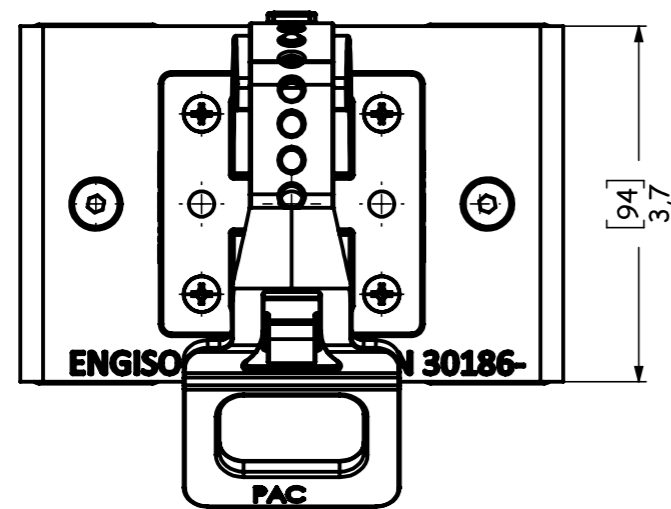


NOTES:
 GRIP RANGE: 2-1/2"* - 3-1/2"
 P/N'S : 1103-B BLACK STRAP
 1103-Y YELLOW STRAP
 * WITH STRAP



ITEM NO.	PART NUMBER	DESCRIPTION	QTY.
1	30186_000-R1	Pac Mounts bracket	1
2	1103	PAC MOUNT 1103	1

ENGISO
 ENGINEERED SOLUTIONS

Phone: (+45) 70 23 00 75
 E-mail: info@Engiso.com

	Linear tolerance	0-10	10-50	50-500	500-1000	1000-
		± 0.1	± 0.2	± 0.5	± 0.8	± 1

Created: 4. juni 2022 Ini: ANO Updated: 16. februar 2023 Ini: ANO
 Surface treatment: Approver: B.Ø.

Material: Material <not specified> Weight: 2.7 Kg

Material Cert. EN10204: Item: Pac Mounts

Unit: Metric

A3 Sheet : 8 of 11 SCALE 1:2 Drawing no.: 30186_001-R2 Rev: