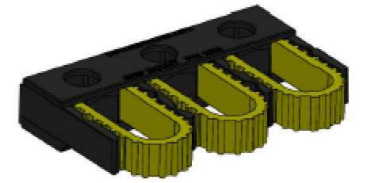


P/N: 1085 GRIPMOUNT



The Grip Mount is a multi use bracket providing a secure grip-like mount for hanging cords, individual hand tools such as wrenches, screwdrivers or other loose items. The flexible grip strap adjusts to items up to 5/8" diameter in size.

FEATURES

- Rugged injection molded components made from high quality materials
- Weather, UV resistant
- Non-conductive
- Can be mounted horizontally or vertically
- Easy push in and hold design
- Stainless Steel Fasteners provided
- Mounts to PAC tool boards, strut and other flat surfaces.
- Six grip points.

EQUIPMENT

Cord Pig Tails, Screwdrivers, Wrenches, Rods, and Pins
 Rounds: 1/4"(6.4)- 5/8"(15.8) Diameter
 Misc: Up to 5/8" (15.8) Hanging

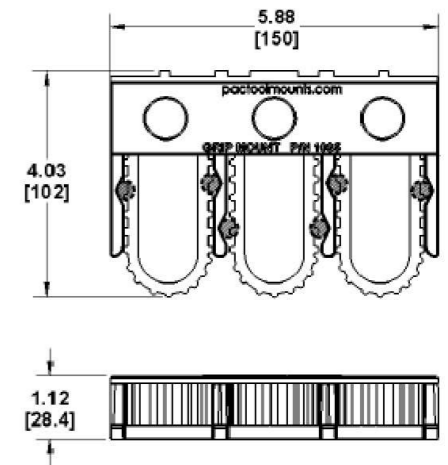
SPECIFICATIONS

P/N	WT.	MAX DYNAMIC LOAD	MAX STATIC LOADS	GRIP RANGE	TEMP RANGE	FLAME RESISTANCE	PAINTABLE
1085	4.80z 150g	N/A	"X" axis - "Y" axis - "Z" axis -	VARIABLE	-20 to 52 °C -4 to 125 °F	GOOD	NO

Performance Advantage Company Lancaster, New York www.pactoolmounts.com 888-514-0083

TYPICAL SPECIFICATION

Mounting bracket shall be PAC P/N 1085
 Bracket shall be made from tough, corrosion free material. Hardware shall be stainless steel.
 Users shall be protected from conductivity.



ITEM NO.	PART NUMBER	DESCRIPTION	QTY.
1	30186_000-R1	Pac Mounts bracket	1
2	1085	PAC MOUNTS 1085	1

ENGISO[®]
ENGINEERED SOLUTIONS

Phone: (+45) 70 23 00 75
 E-mail: info@Engiso.com

Linear tolerance	0-10	10-50	50-500	500-1000	1000-
	± 0.1	± 0.2	± 0.5	± 0.8	± 1

Created: 4. juni 2022 Ini: ANO Updated: 16. februar 2023 Ini: ANO
 Surface treatment: Approver: B.Ø.

Material: Material <not specified> Weight: 2.9 Kg

Material Cert. EN10204: Item: Pac Mounts

Unit: Metric Drawing no.: 30186_001-R2 Rev:

A3 Sheet : 7 of 11 SCALE 1:2