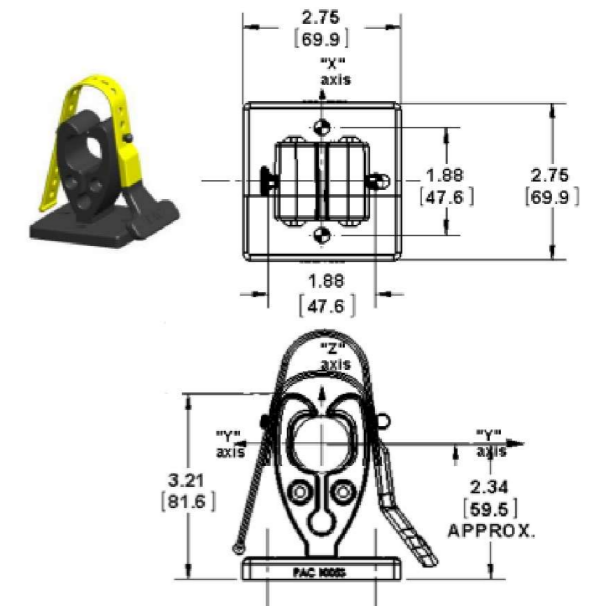
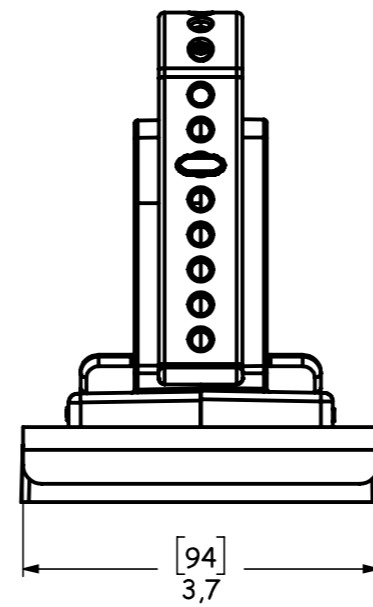
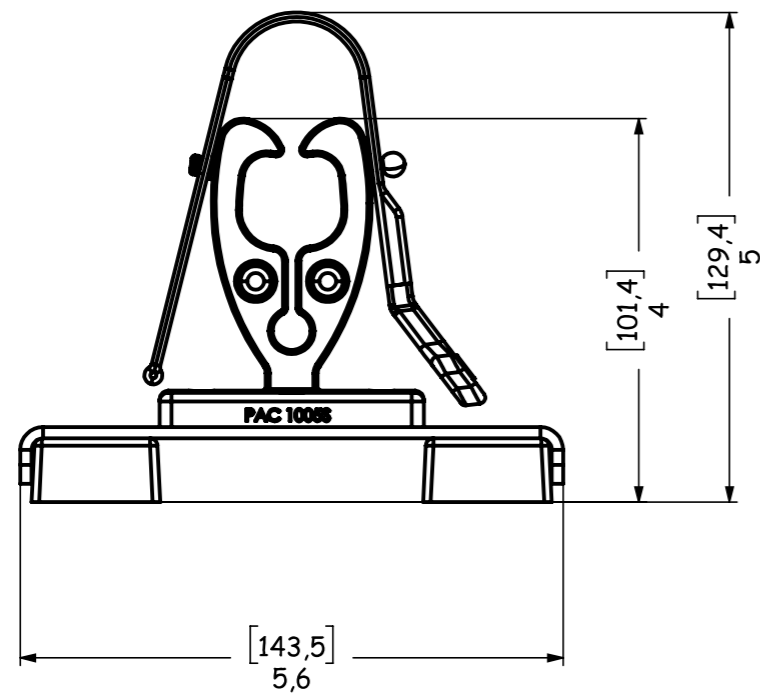
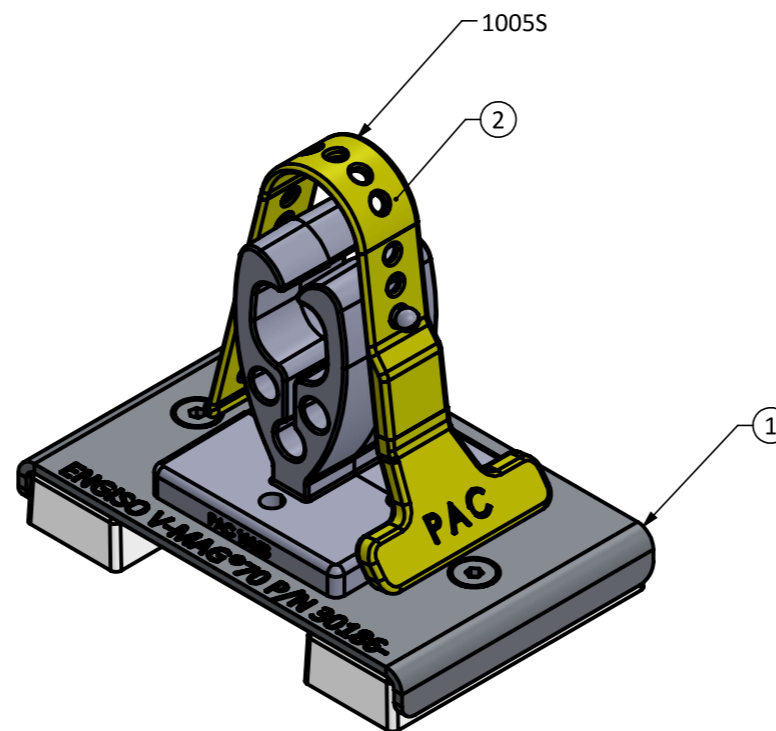
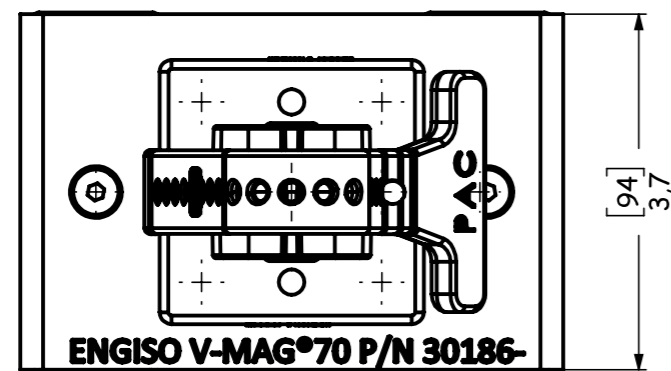


SIZE & DIMENSIONS



EQUIPMENT

- **Various**
 Rounds: 1"- 1-1/2" Diameter
 Rectangular: N/A
 Irregular Up to 1-1/2" wide.



ITEM NO.	PART NUMBER	DESCRIPTION	QTY.
1	30186_000-R1	Pac Mounts bracket	1
2	1005S	PAC MOUNTS Stow-N-Lok 1005S	1



Phone: (+45) 70 23 00 75
 E-mail: info@Engiso.com

	Linear tolerance	0-10	10-50	50-500	500-1000	1000-
		± 0.1	± 0.2	± 0.5	± 0.8	± 1
Created: 4. juni 2022		Ini: ANO	Updated: 16. februar 2023			Ini: ANO
Surface treatment:					Approver: B.Ø.	
Material: Material <not specified>			Weight: 2.3 Kg			
Material Cert. EN10204:			Item: Pac Mounts			
Unit: Metric			Drawing no.: 30186_001-R2			
A3	Sheet : 5 of 11	SCALE 1:2	Rev:			

This drawing belongs Engiso, and may not be disclosed to third parties or used otherwise.

All sharp edges deburred.