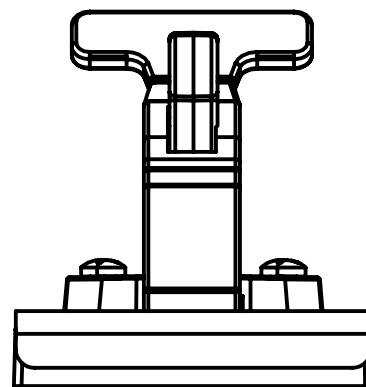
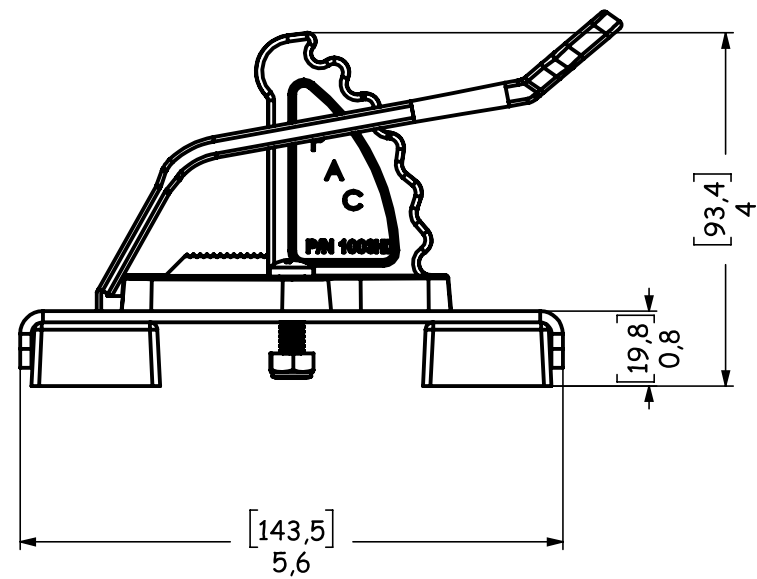


P/N: 1003-HD TOOLOK-HD

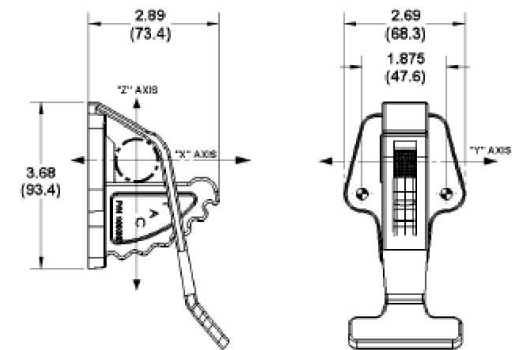


The **Toolok HD** is a new and improved cost effective bracket featuring a positive locking design. A versatile and easy to use product providing secure mounting for a wide variety of tools and equipment.

TYPICAL SPECIFICATION
Mounting bracket shall be PAC PN 1003-HD
Bracket shall be made from tough, corrosion free material. Hardware shall be stainless steel.
Users shall be protected from conductivity.

FEATURES

- The Griplok strap operates easily and will adjust for various size equipment.
- Rugged injection molded and thermoformed components made from high quality materials
- Weather, UV resistant
- Non-conductive
- Can be mounted horizontally or vertically.
- Mounts to PAC tool boards and other flat surfaces. Stainless Steel Hardware included.
- Strap available in Yellow, Black and Orange
- Certified for in-cab use per NFPA Standards.



EQUIPMENT

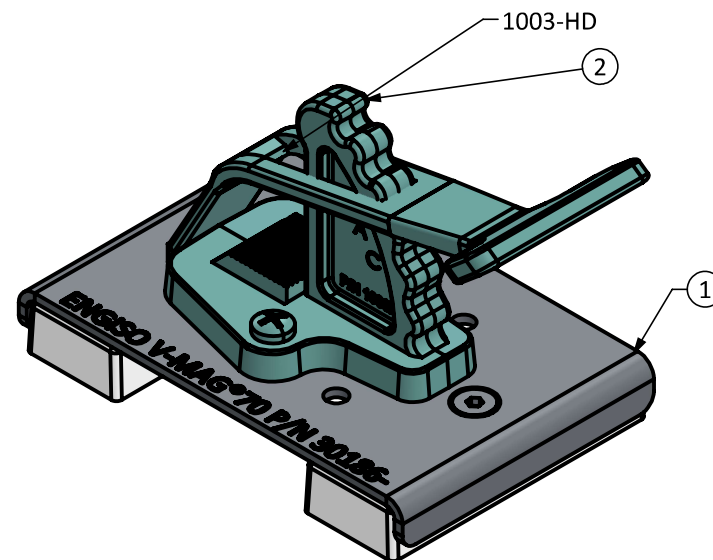
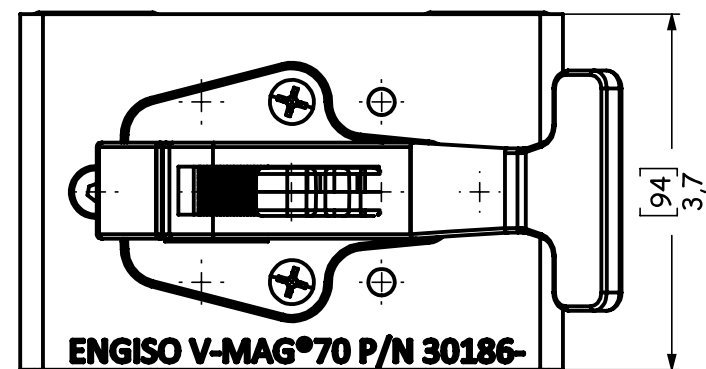
Various
Rounds: 1/8"(3.1)- 1-1/2"(38.1) Diameter
Rectangular: Up to 1-1/2"(38.1)W x 1-1/2"(38.1) T



Specifications

P/N	WT.	MAX. DYNAMIC LOAD	MAX. STATIC LOADS	GRIP RANGE	TEMP RANGE	FLAME RESISTANCE	PAINTABLE
1003HD	.2lbs .09kg	8LBS(3.6kg) @ 10G'S	"X" axis - "Y" axis - "Z" axis -	VARIABLE	-20 to 52 °C -4 to 125 °F	GOOD	YES BODY ONLY

Performance Advantage Company Lancaster, New York www.pactoolmounts.com 888-514-0083



ITEM NO.	PART NUMBER	DESCRIPTION	QTY.
1	30186_000-R1	Pac Mounts bracket	1
2	1003-HD	PAC MOUNTS 1003HD	1

ENGISO®

ENGINEERED SOLUTIONS

Phone: (+45) 70 23 00 75
E-mail: info@Engiso.com

Linear tolerance	0-10	10-50	50-500	500-1000	1000-
	± 0.1	± 0.2	± 0.5	± 0.8	± 1

Created: 4. juni 2022 Ini: ANO Updated: 16. februar 2023 Ini: ANO
Surface treatment: Approver: B.Ø.

Material: Material <not specified> Weight: 2.5 Kg

Material Cert. EN10204: Item: Pac Mounts

Unit: Metric

A3 Sheet : 3 of 11 SCALE 1:2 Drawing no.: 30186_001-R2 Rev: