

P/N: **1001**
HOOKLOK



FEATURES

SOLD IN PAIRS

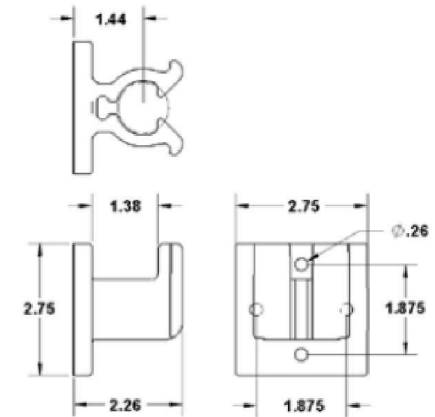
- Hook feature provides additional support when mounting tools vertically
- Rugged injection molded components made from high quality materials
- Weather, UV resistant
- Non-conductive
- Can be mounted horizontally or vertically
- Stainless Steel Fasteners provided
- Mounts to PAC tool boards and other flat surfaces

TYPICAL SPECIFICATION

Mounting Bracket shall be PAC PN 1001.

Bracket shall be single piece construction; made from tough, corrosion free material. Hardware shall be stainless steel.

Firefighters shall be protected from conductivity.

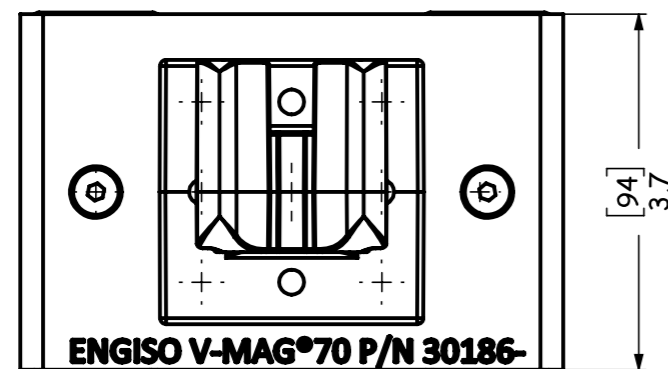
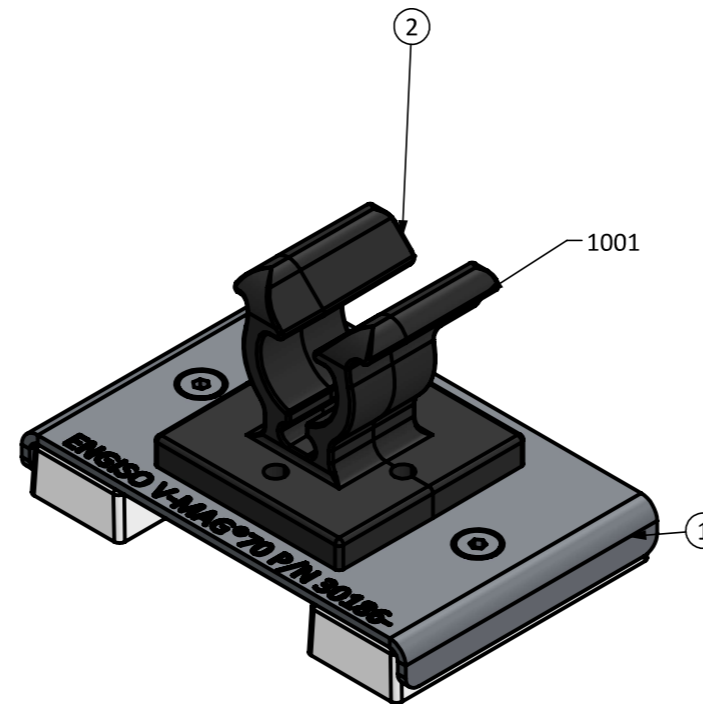
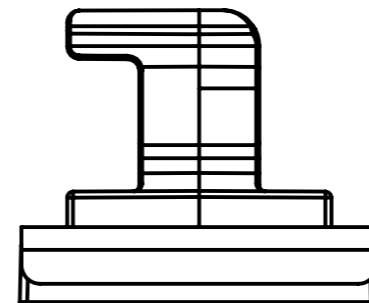
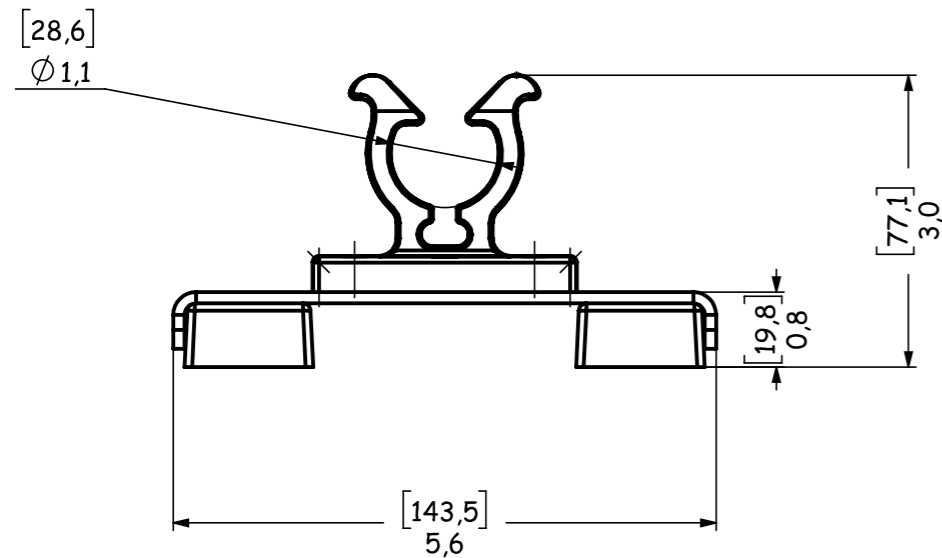


Dimensions: 2.75" L x 2.75" W x 2.26" H

SPECIFICATIONS

P/N	WT.	MAX LOAD	GRIP RANGE	HANGER RANGE	FLAME TOXICITY CHEMICAL
1001	.4lbs/pair	N/A	1-1.25"	Up to 1.3" diam.	N/A

Performance Advantage Company Lancaster, New York www.pactoolmounts.com 888-514-0083



ITEM NO.	PART NUMBER	DESCRIPTION	QTY.
1	30186_000-R1	Pac Mounts bracket	1
2	1001	PAC MOUNTS 1001	1

ENGISO
ENGINEERED SOLUTIONS

Phone: (+45) 70 23 00 75
E-mail: info@Engiso.com

	Linear tolerance	0-10	10-50	50-500	500-1000	1000-
		± 0.1	± 0.2	± 0.5	± 0.8	± 1
Created: 4. juni 2022		Ini: ANO	Updated: 16. februar 2023			Ini: ANO
Surface treatment:						Approver: B.Ø.
Material: Material <not specified>		Weight: 2.2 Kg				
Material Cert. EN10204:		Item: Pac Mounts				
Unit: Metric						
A3	Sheet : 1 of 11	SCALE 1:2	Drawing no.: 30186_001-R2			Rev: